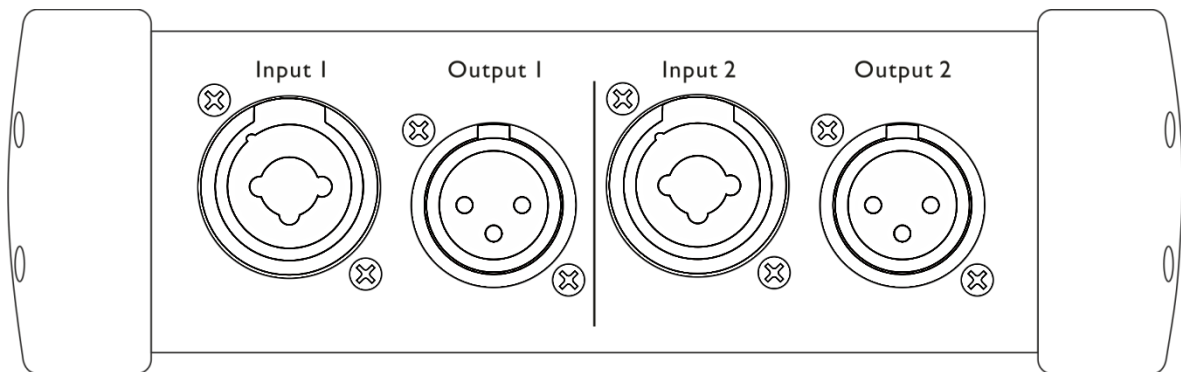
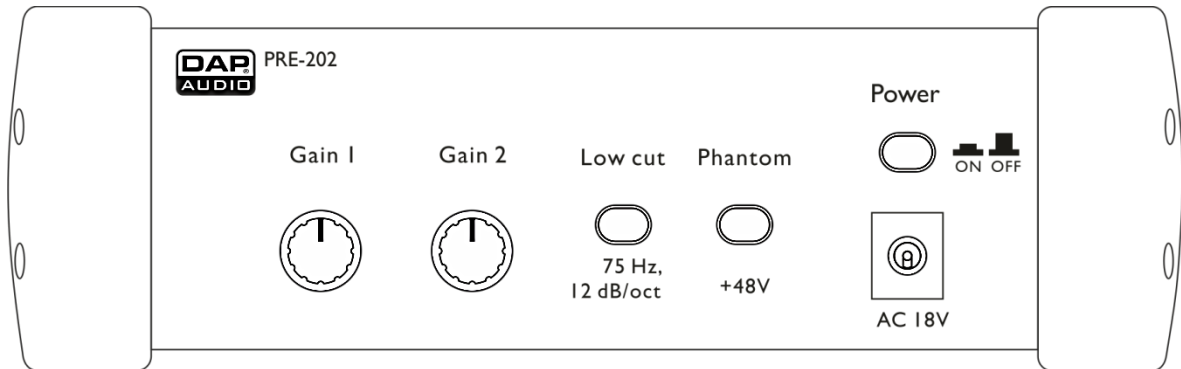




MANUAL



ENGLISH

PRE-202

Ordercode: D1533

2 Channel Microphone Preamp

Warning



Every person involved with the installation, operation and maintenance of this system has to:

- be qualified
- follow the instructions of this manual

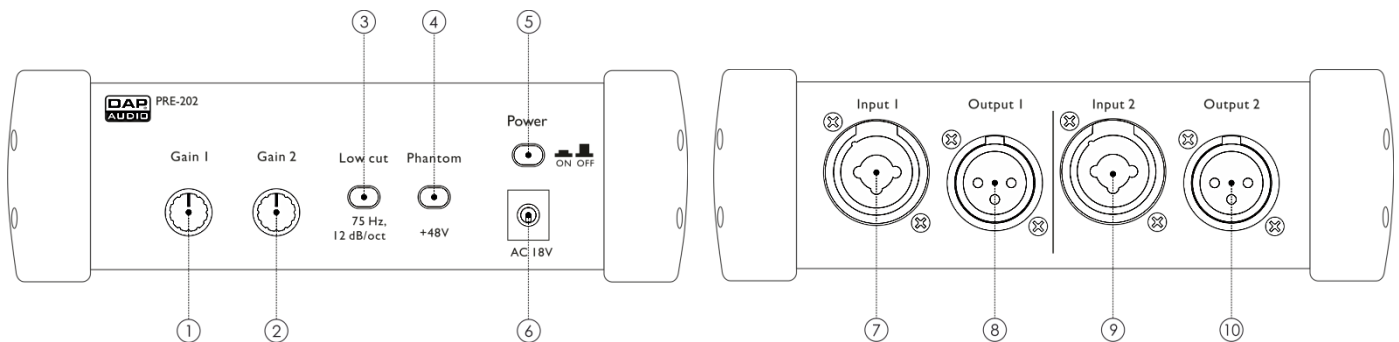
Only use the supplied DAP audio adapter.

Description

The PRE-202 is a 2 channel microphone solution, that combines high quality low noise preamps with a 48 volt phantom power supply. It also offers gain settings and a low cut function, that will help you to eliminate unwanted stage rumble. The 48-volt phantom power supply is capable of powering almost any condenser microphone. The PRE-202 is the ideal solution in an audio system, without phantom power, where the use of normal or condenser microphones is desired.

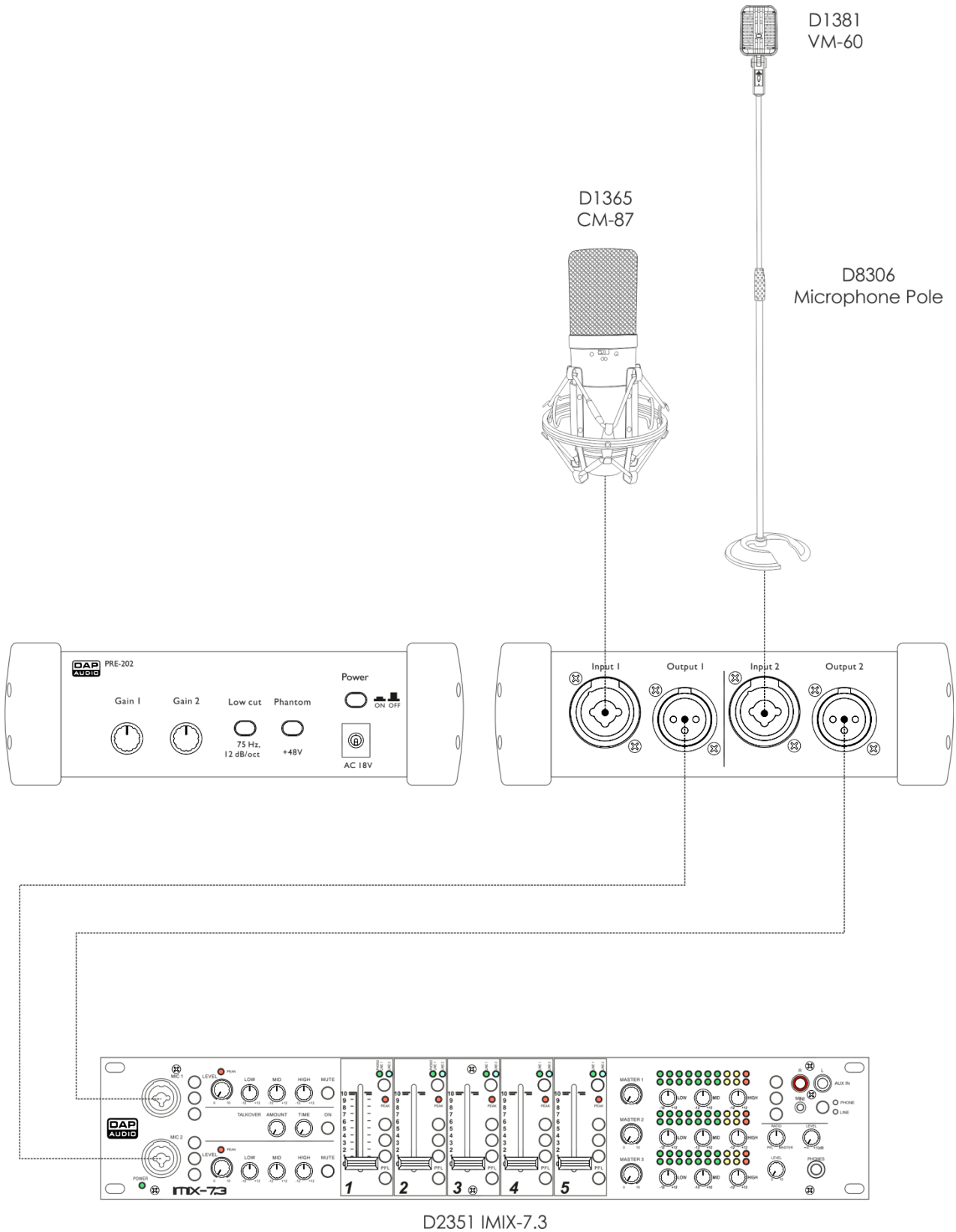
- Switchable Phantom power
- Switchable low cut
- Level control
- Low noise preamps

Overview

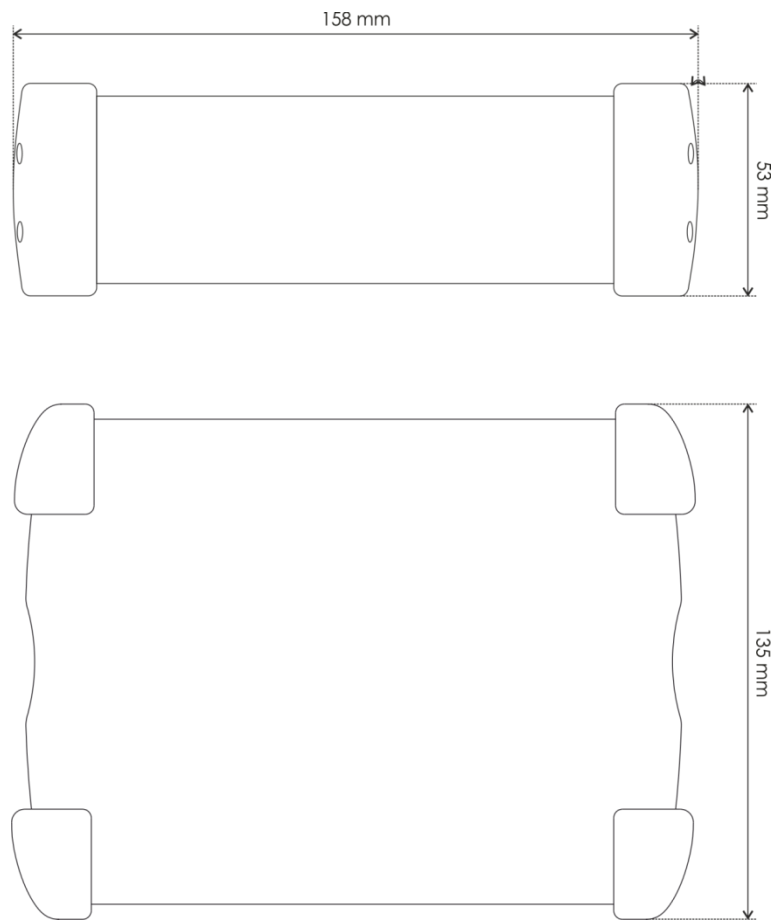


- ① Controls the input gain, channel 1.
- ② Controls the input gain, channel 2.
- ③ Press the LOW CUT switch to activate the high-pass filter which blends out low-frequency noise (75 Hz, 12 dB/octave).
- ④ Phantom power is used for operating a condenser microphone.
- ⑤ Power on/off switch
- ⑥ Power adapter connector
- ⑦ Input 1, Balanced combo-type input for connecting low impedance microphones.
- ⑧ Output 1, Balanced XLR output connector.
- ⑨ Input 2, Balanced combo-type input for connecting low impedance microphones.
- ⑩ Output 2, Balanced XLR output connector

Connection Example



Dimensions



Specifications

Frequency Response:	20Hz-20KHz
Inputs:	XLR/Jack Combo
Outputs:	XLR male
Input sensitivity:	-50dBV
Max input voltage:	-4 dBu
Max output voltage:	+22 dBu
Power supply:	18V AC (adapter included)
Dimensions:	53x158x135 mm (HxWxD)
Weight:	0,67 Kg

